



Items Supplied >

DESCRIPTION:	QUANTITY:
1. Solo Tube Rack	x1
2. 5/16" Thick Black Spacers	x4
3. M8-1.25 x 25mm Button Head Bolts	x4

Application(s) >

MAKE:	MODEL:	YEAR:
HONDA	REBEL 1100	21-23

**NOTE:** NOT COMPATIBLE WITH PASSENGER SEATS OR SADDLEBAGS.

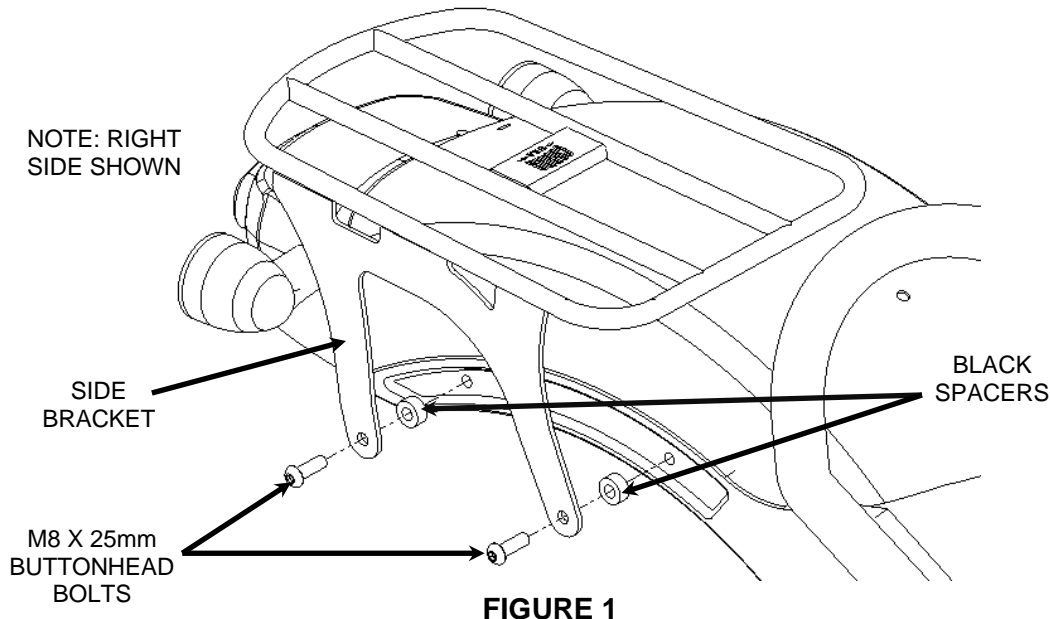
Instruction Manual >

02-4109B

Page 1 of 1

**Read all instructions carefully before installing your new Cobra® product!**

1. Remove the stock rear fender bolts from the left and right-side fender rails and discard.
2. Apply blue Loctite to all four of the supplied M8 x 25mm bolts and then install the rack onto the motorcycle by inserting the bolts through the side brackets, through the provided spacers, and into the threaded bosses on the frame rail. Tighten securely. NOTE: Left and Right sides are identical, and either side may be installed first. See **FIGURE 1**.
3. Check the tightness of all (4) bolts after the first ride, after the first 500 miles, and at every engine service thereafter.



**FIGURE 1**

To clean your black accessory use a liquid based soap detergent, such as dishwashing soap applied with a soft cloth and rinse with clean water. Note: Avoid abrasive cleaning methods such as granular or dry cleansers, simple green, Scotch-Brite or steel wool pads. Abrasives may breach the coating and shorten life.

\* Cobra® recommends you always wear a helmet while riding. Please never operate your motorcycle while under the influence of alcohol and/or drugs. Enjoy the new look of your motorcycle and please ride safely.