

## Items Supplied >

1 – FRONT HEADPIPE W/HEATSHIELD  
1 – REAR HEADPIPE W/HEATSHIELD  
1 – MUFFLER ASSEMBLY  
1 – EXHAUST BRACKET  
1 – REGULATOR BRACKET  
6 – HOSE CLAMPS  
2 – CLAMP, 27-61MSC  
2 – BOLT, HEX 5/16-18 x .63  
2 – SCREW, BUTTON ¼-20 x .38  
2 – NUT, HEX M10  
2 – NUT, HEX M6  
2 – WASHER, LOCK M10  
2 – BILLET MUFFLER TIPS

## Application(s) >

KAWASAKI VN1500DENP/1600B 96-08  
SUZUKI VZ1600 2004

## Instruction Manual >

4719/4919

Page 1 of 2

**PRIOR TO INSTALLATION, MAKE SURE YOUR STOCK HEADPIPE GASKETS ARE IN GOOD SHAPE. IF YOU HAVE ANY DOUBTS AS TO THEIR CONDITION, REPLACE THEM.**

**Read all instructions carefully and completely before installing your new exhaust system**

1. Remove the stock exhaust system.
2. Remove the exhaust mounting bracket from the box and attach it to the stock exhaust/passenger footpeg mount as shown in figure 1. **DO NOT TIGHEN** at this time.
3. Install the front and rear headpipes onto the motorcycle using the stock flanges and nuts. **DO NOT TIGHTEN** at this time.
4. Remove the muffler assembly from the box and slide one supplied 27-61MSC clamp onto the back muffler tube. Refer to figure 2 for alignment.
5. Slide the muffler assembly onto the head pipes by tapping on the head pipes with your hand as you push the mufflers forward making sure the assembly slides as far forward as possible. Secure the muffler assembly to the mounting bracket using the supplied 5/16-18 bolts but **do not tighten**.
6. Make sure the muffler assembly is parallel to the ground (this is critical) then tighten the following in order, muffler bracket to the frame, muffler assembly to the muffler bracket, head pipe flanges to the motor (slowly tighten opposing nut) and muffler clamps. (NOTE: If the muffler clamps are slid to far up the muffler or past the three slots, the clamps will not tighten.)
7. Unscrew the remaining hose clamps and feed the tail end of the clamp through the clips on the inside of the heat shields. The screw end of the hose clamp should be accessible for tightening but not visible when the heat shields are mounted to the pipes.
8. To install the front heatshield, first slide the rear portion of the heatshield over the muffler, continue to slowly slide it forward pushing the front of the shield gently into place between the frame and motor (Hint: Spread the hose clamps apart slightly to make it easier to slide them over the muffler assembly and head pipes). Make sure the muffler clamps don't interfere with the heatshields and are aligned as shown in figure 3. Snug the heatshield clamps but **DO NOT TIGHTEN**.
9. Install the rear heatshield the same way as the front heatshield.
10. Make sure the front and rear heatshields are even on the back with each other. Install one billet tip on each heatshield. Fasten the tips with the supplied ¼-20 screws making sure they snug up against the heatshield leaving no gap between the tip and heatshield when tighten. **If it is difficult to slide the tips into the heatshields loosen the clamps on the heatshield, failure to do this may cause damage to the chrome tips.**

\* **Cobra® recommends you always wear a helmet while riding. Please never operate your motorcycle while under the influence of alcohol and/or drugs. Enjoy the new look of your motorcycle and please ride safely.**

11. Tighten the clamps on the heatshields.
12. Remove the regulator cover, regulator and regulator bracket from the lower left side of the bike.
13. Install the regulator onto the Cobra black regulator relocation bracket using the stock bolts and two supplied M6 nuts.
14. Install the bracket with the regulator between the muffler mounts under the swing arm using the stock bolts and supplied M10 nut's and lock washer's.
15. Make sure all the hardware (brackets, headpipes, heatshields, mufflers and baffles) has been tightened appropriately and cleaned before starting your motorcycle.

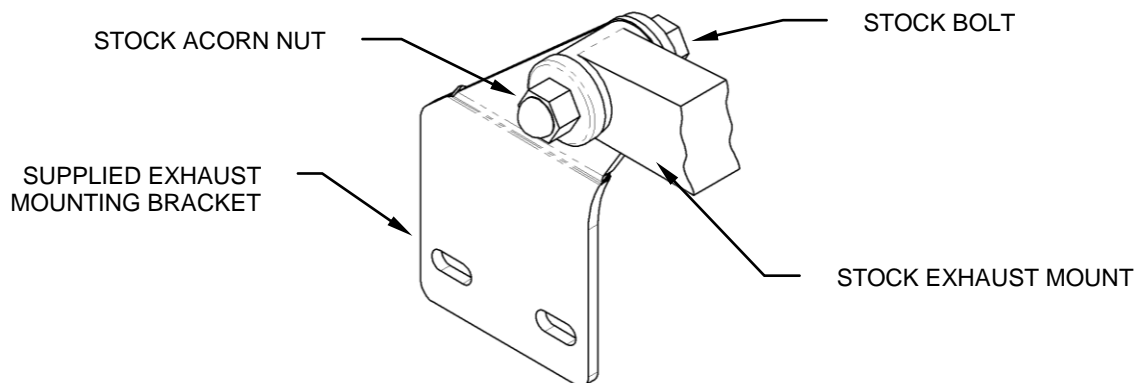


FIGURE 1

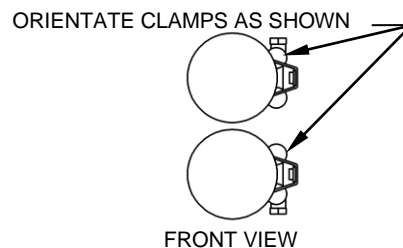


FIGURE 2

**IMPORTANT: Carbureted models** it is recommended that you re-jet your bike with a Cobra Jet Kit, part # 92-4166.

**Fuel** It is recommended that you install a Cobra Fi2000® Digital Fuel Processor with your Cobra exhaust system.  
**Injected Models** Cobra is not responsible for the performance of any other fuel management system used with Cobra exhaust systems. **VN1500N Classic Fi2000 (part# 92-0940), VN1500P Mean Streak (part#92-0960), VN1600B Mean Streak/ VZ1600 Marauder (part#92-0962)**

**Before starting your engine remove all fingerprints from chrome with a quality wax or chrome polish. Failure to do so can cause discoloration. Due to fluctuations in carburetor settings, timing, etc., Cobra Engineering does not warrant against chrome discoloration.**

California does not allow the use of aftermarket exhaust systems that remove original equipment catalyts, (except for racing use only) unless the Air Resources Board has issued an Executive Order for that system.

**\* Cobra recommends you always wear a helmet while riding. Please never operate your motorcycle while under the influence of alcohol and/or drugs. Enjoy the new look of your motorcycle and please ride safely.**