

Items Supplied >

- 1 – FRONT MUFFLER ASSEMBLY
- 1 – REAR MUFFLER ASSEMBLY
- 4- 1/4" X 3/4" HEX FLANGED BOLTS

Application >

HARLEY:
FXFB/FXFBS SOFTAIL FAT BOB 18-20

Instruction Manual >

6046B

Page 1 of 2

Read all instructions carefully and completely before installing your new slip-on mufflers.

1. Remove the four bolts attaching the rear header heatshield to the muffler heatshields. See **Figure 1**. Save the bolts as these will be reused.
2. Remove the upper muffler first. Loosen the muffler clamp and remove the two bolts on the muffler mount. Then slide the muffler backward off of the headpipe. Save the muffler clamp as it will be reused.
3. Remove the lower muffler the same way.



FIGURE 1

4. Position the stock clamps with hex head as shown in **Figure 2** and slide them onto the slip-on mufflers.

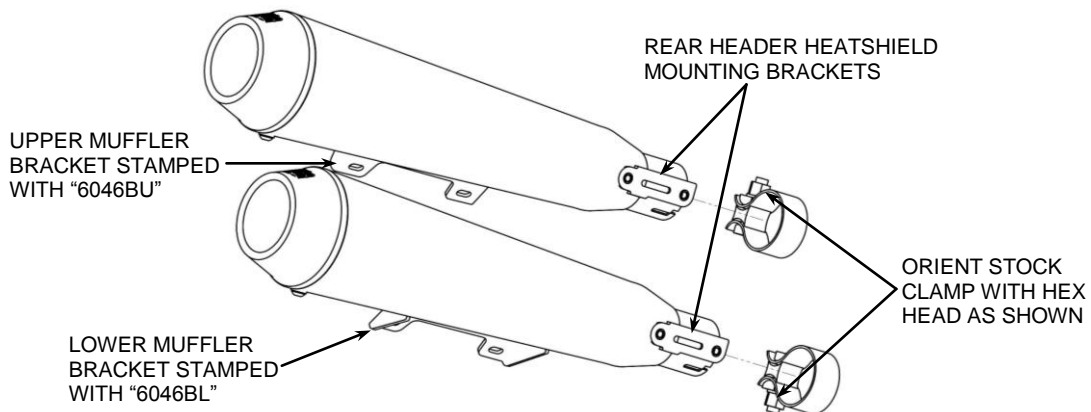


FIGURE 2

Continued on Page 2

DISCLAIMER: NOT LEGAL FOR SALE OR USE IN CALIFORNIA ON ANY POLLUTION CONTROLLED MOTOR VEHICLE. THE SALE, USE, OR INSTALLATION OF THIS PRODUCT MAY ALSO BE ILLEGAL NATIONWIDE UNDER THE FEDERAL CLEAN AIR ACT (42 U.S.C. § 7522(A)(3)).

5. Slide the upper muffler onto the head pipe first, then the lower muffler second, until the mounting holes align. See **Figure 3**. **NOTE: THE UPPER MUFFLER BRACKET IS STAMPED "6046BU" AND THE LOWER MUFFLER BRACKET IS STAMPED "6046BL"**. See **Figure 2**.
6. Fasten the mufflers to the stock muffler mount using the supplied 1/4" x 3/4" hex flanged bolts in the same manner as stock but **do not tighten**.
7. Adjust the mufflers forward and rearward to align the holes in the rear header heatshield with the threaded holes in the heatshield brackets on the front of the new mufflers and insert the stock bolts into all four holes. Snug the bolts but **do not tighten**. See **Figure 3**.
8. Check all clearances and alignments then tighten the clamps. (NOTE: The muffler clamps should be flush with the end of the muffler slip when tightened. See **Figure 4**. If the muffler clamps are slid backward past the slots on the muffler slip the clamps will not tighten the mufflers properly).
9. Tighten the mounting bolts and all of the rear header heatshield bolts to factory specifications.
10. **IMPORTANT: Before starting your engine remove all fingerprints from all exhaust surfaces. To clean your black exhaust system use a liquid based soap detergent, such as dishwashing soap applied with a soft cloth and rinse with clean water. Note: Avoid abrasive cleaning methods such as granular or dry cleansers, simple green, scotch-brite or steel wool pads. Abrasives may breach the coating and shorten life.**
11. Check the tightness of the two button head bolts securing the billet tip to each muffler after the first ride, 100 miles, and every 500 miles after that.



STOCK HEATSHIELD BOLTS

FIGURE 3

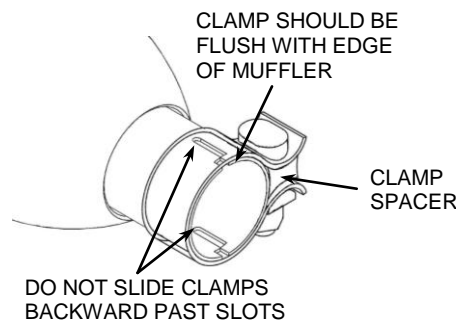


FIGURE 4

DISCLAIMER: NOT LEGAL FOR SALE OR USE IN CALIFORNIA ON ANY POLLUTION CONTROLLED MOTOR VEHICLE. THE SALE, USE, OR INSTALLATION OF THIS PRODUCT MAY ALSO BE ILLEGAL NATIONWIDE UNDER THE FEDERAL CLEAN AIR ACT (42 U.S.C. § 7522(A)(3)).