



Items Supplied >

1 – INTAKE COVER W/ INTAKE SCREEN ASSEMBLY
1 – VENTURI AIR FILTER
1 – BILLET VELOCITY STACK
1 – MOUNTING PLATE
1 – SUPPORT BRACKET
1 – INTAKE GASKET
2 – O-RING, SILICONE
2 – BREATHER HOSE
2 – BREATHER BOLT, 1/2"-13 X 1"
3 – BOLT, 1/4"-20 X 7/8", BUTTONHEAD W/ LOCK PATCH
3 – BOLT, 1/4"-20 X 5/8", HEX FLANGE
3 – LOCK WASHER, 1/4" TOOTHED

Application(s) >

HARLEY:
SPORTSTER 2004-2022

Instruction Manual >

606-0103B-SB

Page 1 of 2

Read all instructions carefully and completely before installing your new POWRFLO™ Intake.

1. Remove the (2) allen bolts from the center of the stock air cleaner to remove the cover. Remove the (3) bolts securing the air filter. Remove the stock (2) breather bolts from the cylinder heads. Discard the air box, air filter, hardware and seals/gaskets.
NOTE: Some California models will have a charcoal canister vent tube that must be disengaged before removing air box. Remove and save the vent tube grommet from the stock air box.
2. Place the supplied o-rings onto both supplied breather bolts. Insert the breather bolts through the openings in the supplied support bracket and begin threading into the throttle body. Insert the supplied gasket between the support bracket and throttle body and line up all the holes, then snug the breather bolts, but do not fully tighten.
3. Insert the (2) supplied breather hoses through the mounting plate and into the velocity stack with the hoses rotated outward, as shown in Figure 1. Make sure the breather hoses are bottomed out in the back of the velocity stack.
NOTE: California models will need to install the vent tube grommet into the designated hole in the mounting plate, see Figure 1.
4. Insert (3) supplied 1/4"-20 x 3/4" buttonhead bolts with lock washers through the mounting holes in the velocity stack and mounting plate, then position on top of the installed support bracket (Step 2). Start threading the buttonhead bolts into the throttle body, but do not tighten. See Figure 1.
5. Snug the (3) buttonhead bolts evenly, and then fully tighten them to the throttle body. Fully tighten the (2) breather bolts from Step 2.
6. Insert outer end of rubber hoses over nipples on breather bolts.
California Models: Insert the charcoal canister vent tube through the grommet installed in Step 3.
7. Place the supplied venturi filter onto the velocity stack. Insert the intake screen assembly into the POWRFLO™ intake cover so the holes in the bent tabs align with the threaded bosses.
8. Place the intake cover over the air filter and mounting plate. Insert the (3) supplied 1/4"-20 x 5/8" hex flange bolts through the mounting plate, intake screen and into the intake cover then tighten. See Figure 2.

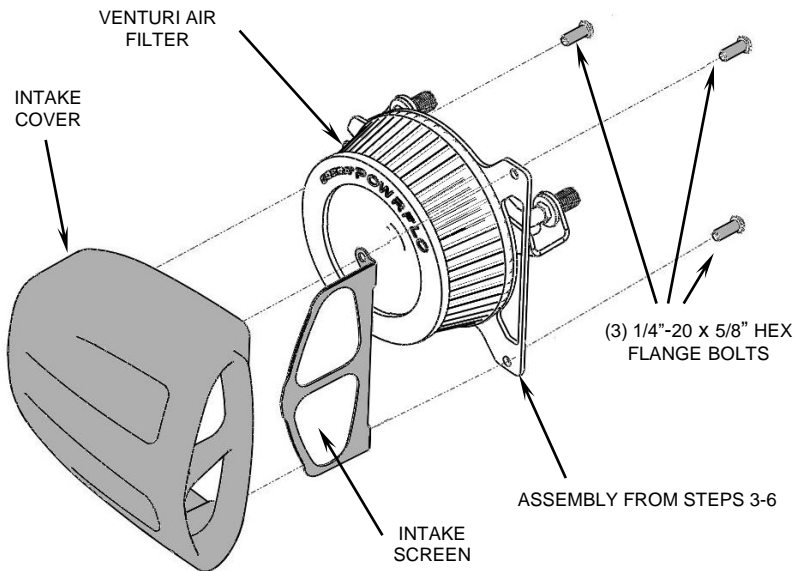
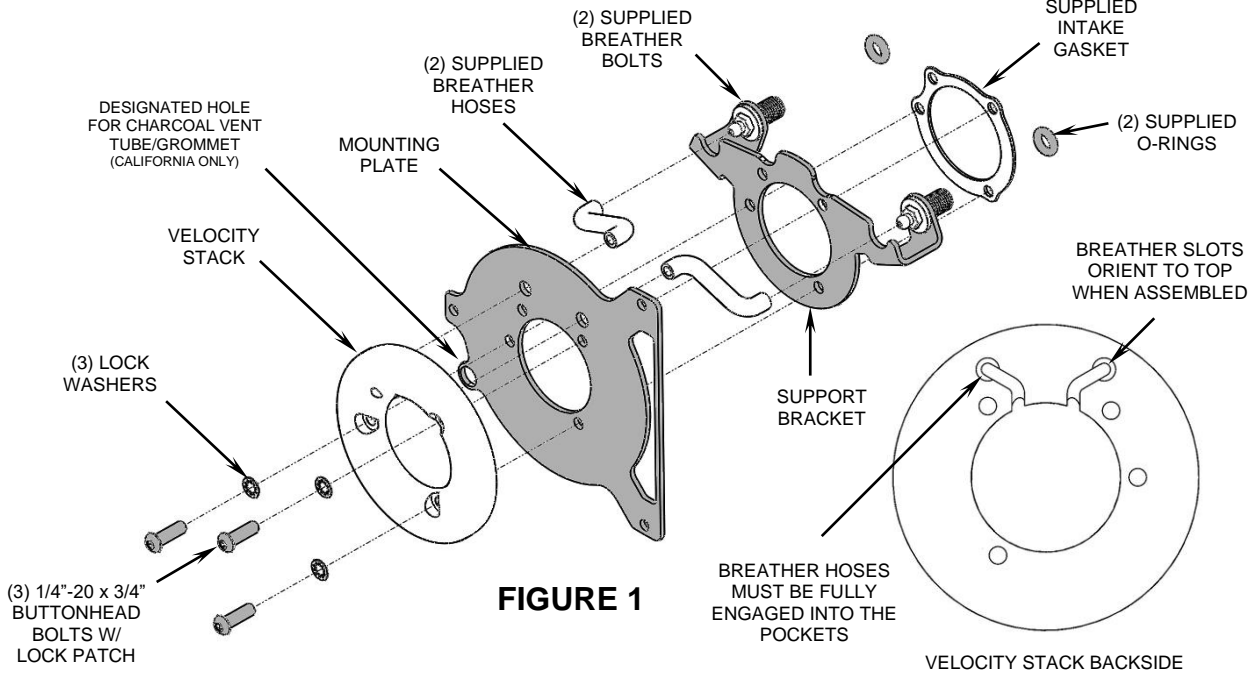
California Customers: In California, aftermarket parts that have been identified specifically as replacement parts or that have received an Air Resources Board Executive Order may be used on street motorcycles. All other emissions related aftermarket parts are for competition use only. A list of replacement parts and EO parts, and corresponding fitment is provided at: www.cobrausa-hd.com

DISCLAIMER: NOT LEGAL FOR SALE OR USE IN CALIFORNIA ON ANY POLLUTION CONTROLLED MOTOR VEHICLE. THE SALE, USE, OR INSTALLATION OF THIS PRODUCT MAY ALSO BE ILLEGAL NATIONWIDE UNDER THE FEDERAL CLEAN AIR ACT (42 U.S.C. § 7522(A)(3)).

DOCUMENT NO. 0017 REV. A

07/22

RIDE LOUD™



CLEANING INSTRUCTIONS:

To clean your black POWRFLO cover, use a liquid based soap detergent, such as dishwashing soap applied with a soft cloth and rinse with clean water. **Note:** Avoid abrasive cleaning methods such as granular or dry cleansers, simple green, scotch-brite or steel wool pads. Abrasives may breach the coating and shorten life.