

Items Supplied >

- 1 – FRONT HEADPIPE
- 1 – FRONT HEATSHIELD
- 1 – REAR MUFFLER ASSEMBLY
- 1 – REAR HEATSHIELD
- 1 – EXHAUST MOUNT BRACKET
- 4 – CLAMP, HS-24 HOSE (SMALLER)
- 2 – CLAMP, HS-28 HOSE (LARGER)
- 1 – CLAMP, 27-61 MSC
- 2 – BOLT, 5/16"-18 x 5/8" HEX FLANGE W/ LOCKPATCH
- 1 – SPACER, .750"O.D. X .343" I.D. X .550" L BLACK
- 2 – SPACER, ALUMINUM .550"O.D. X .344" I.D. x .170" L

Application(s) >

- | | |
|------------|---------|
| HARLEY: | |
| DYNA | 2012-17 |
| SWITCHBACK | 2012-16 |

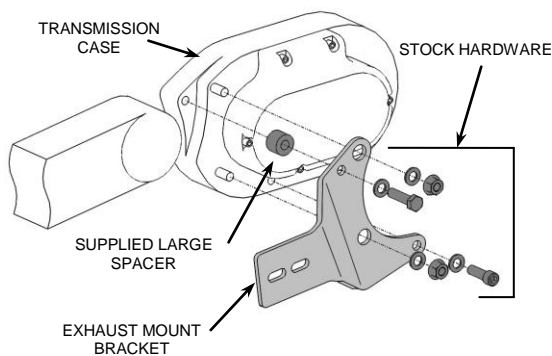
Instruction Manual >

6229

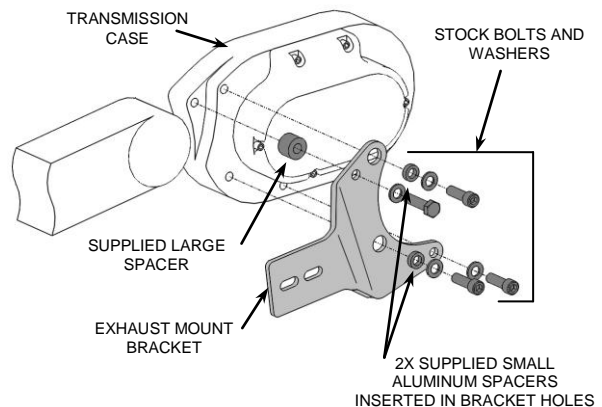
Page 1 of 2

Prior to installation, make sure the stock headpipe gaskets are in good condition, if there is any doubts about their condition, replace them. Read all instructions carefully and completely before installing your new exhaust system.

1. For Switchback models remove the right side floorboard from the mounts. Remove the forward bolt from rear floorboard mount and loosen the rear bolt, this will let the mount swing out of the way for clearance.
2. On both Dyna and Switchback models unplug O₂ sensors on front and rear headpipes from motorcycle wire harnesses.
3. Remove stock exhaust system.
4. **For Dyna Models** See Figure 1: Remove socket head screw, bolt, and nuts from the transmission case and remove the stock exhaust mount. Install the supplied exhaust mount to motorcycle using stock hardware. Make sure to insert the supplied large spacer between the supplied exhaust mount and transmission case, before reinstalling the stock hex bolt into this location.
5. **For Switchback Models** See Figure 2: Remove socket head screws and bolt from the transmission case and remove the stock exhaust mount. Install the supplied exhaust mount by inserting the (2) supplied small aluminum spacers into the large holes in the exhaust mount bracket then secure with the stock hardware. Make sure to insert the supplied large spacer between the supplied exhaust mount and transmission case, before reinstalling the stock hex bolt into this location.



DYNA
FIGURE 1

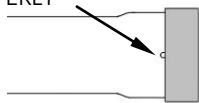


SWITCHBACK
FIGURE 2

DISCLAIMER: NOT LEGAL FOR SALE OR USE IN CALIFORNIA ON ANY POLLUTION CONTROLLED MOTOR VEHICLE. THE SALE, USE, OR INSTALLATION OF THIS PRODUCT MAY ALSO BE ILLEGAL NATIONWIDE UNDER THE FEDERAL CLEAN AIR ACT (42 U.S.C. § 7522(A)(3)).

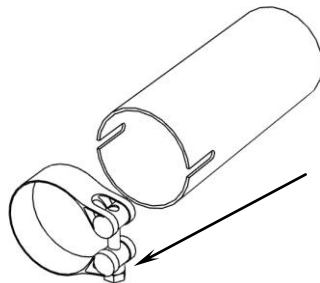
6. Remove the flanges, retaining rings and O₂ sensors from the stock headpipes and install on Cobra headpipes. Leave stock gaskets in the cylinders but check their condition and replace if needed.
7. Install the front headpipe onto the front cylinder using two stock nuts. **DO NOT TIGHTEN** at this time.
8. Place the supplied 27-61msc clamp onto the lower muffler inlet then slide the rear headpipe / muffler assembly onto the front headpipe and into the rear exhaust port. Bolt rear headpipe onto the rear cylinder using the stock nuts but **DO NOT TIGHTEN**. See Figure 3 for clamp orientation.
9. Bolt the muffler assembly to the exhaust mount using the supplied 5/16" bolts. **DO NOT TIGHTEN**.
10. Make sure the front headpipe is inserted properly into the rear assembly. Tighten the following in order; exhaust mount to the frame, then the flange nuts securing the exhaust flanges (slowly tighten opposing nuts), followed by the muffler to the exhaust mount. Tighten the 27-61msc clamp last. (NOTE: If the muffler clamp is slid past the slots on the muffler slip the clamp will not tighten properly). See Figure 3.
11. Plug O₂ sensor connectors back into motorcycle wire harnesses.
12. Unscrew all supplied hose clamps and feed the tail end of the clamp through the clips on the inside of the heatshields; the larger clamps go to the rear of the heatshields where they will rest on the muffler bodies, smaller ones to the front for the headpipes. The screw end of the hose clamp should be accessible for tightening but not visible when heatshields are mounted to the pipes, see Figure 4.
13. To install the front heatshield, first slide the rear portion of the heatshield over the muffler, continue to slowly slide it forward pushing the front of the shield gently into place between the frame and motor (Hint: Spread the hose clamps apart slightly to make it easier to slide them over the muffler assembly and headpipes). Make sure the muffler clamp doesn't interfere with the heatshields and is aligned as shown in Figure 3. Lightly snug the heatshield clamps but **DO NOT TIGHTEN**.
14. Install the rear heatshield in the same manner as the front heatshield. Make sure heatshields are properly aligned with headpipes then tighten all hose clamps.
15. Tighten the clamps on the heatshield.
16. Make sure all the hardware (brackets, headpipes, heatshields, and muffler) has been tightened appropriately and cleaned before starting your motorcycle. Reinstall right side rider floorboard on Switchback models.

SLOTS MUST BE
VISIBLE TO CLAMP
PROPERLY

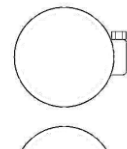


SIDE VIEW

FIGURE 3



POSITION
CLAMP AS
SHOWN



ORIENTATE CLAMPS AS
SHOWN

FRONT VIEW

FIGURE 4

Before starting your engine remove all fingerprints from chrome with a quality wax or chrome polish. Failure to do so can cause discoloration. Due to fluctuations in fuel injection/carburetion settings, timing, etc., Cobra Engineering does not warrant against chrome discoloration.

DISCLAIMER: NOT LEGAL FOR SALE OR USE IN CALIFORNIA ON ANY POLLUTION CONTROLLED MOTOR VEHICLE. THE SALE, USE, OR INSTALLATION OF THIS PRODUCT MAY ALSO BE ILLEGAL NATIONWIDE UNDER THE FEDERAL CLEAN AIR ACT (42 U.S.C. § 7522(A)(3)).