



### Items Supplied >

2 – FRONT & REAR EXHAUST HEADPIPE / HEATSHIELD ASSEMBLY  
1 – MUFFLER ASSEMBLY  
1 – EXHAUST BRACKET  
3 – CLAMPS HS-24  
2 – CLAMPS HS-28  
2 – CLAMPS 27-61 MSC  
2 – BOLT, HEX 5/16-18 x 5/8"  
2 – BOLT, HEX 3/8 x 3/4"  
1 – SCREW, S.H.C 3/8-16 x 2.50"  
1 – SPACER, FOOTPEG

### Application(s) >

HARLEY – SOFTAIL 07-10  
FXST  
FXSTB  
FXSTC  
FXSTD  
FLSTF  
FLSTN  
FLSTSC  
FLSTC

### Instruction Manual >

6421

Page 1 of 2

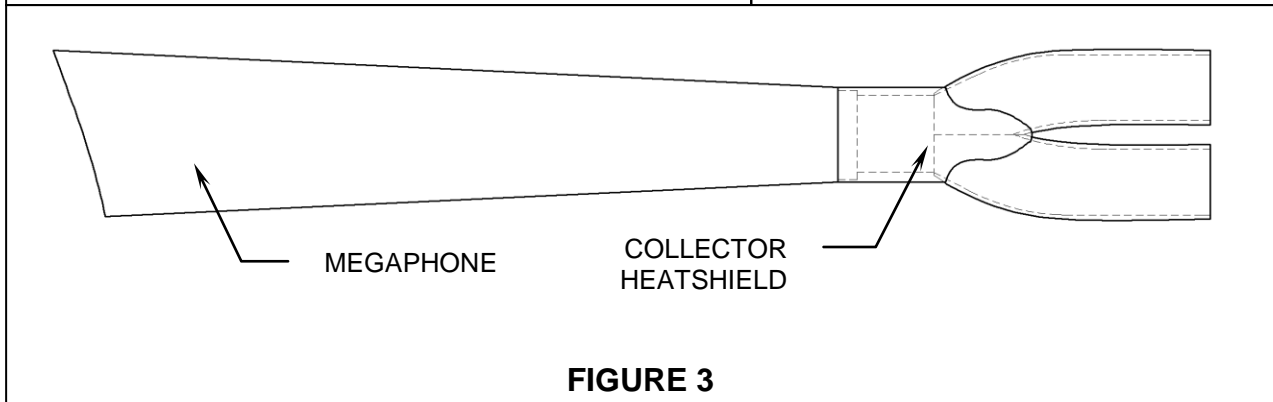
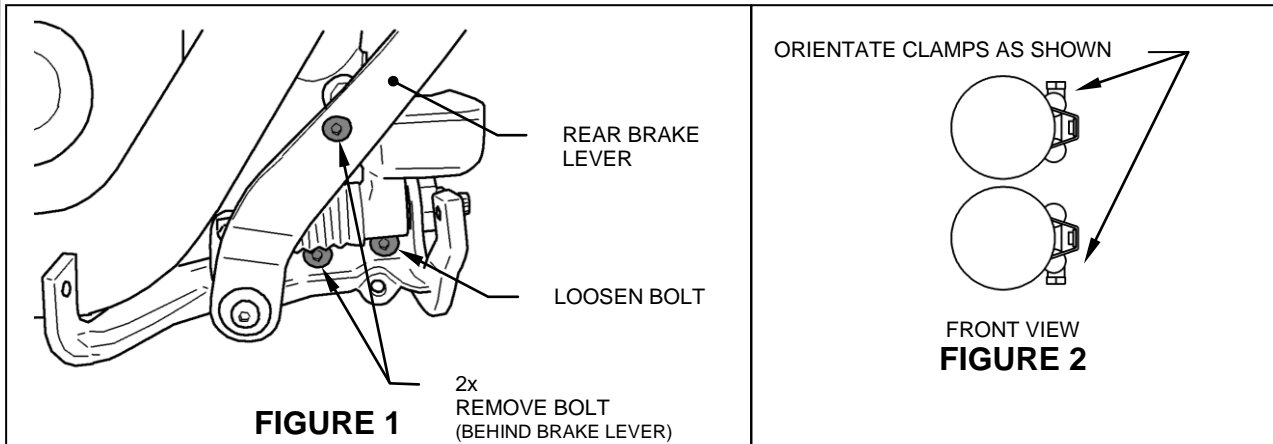
**PRIOR TO INSTALLATION, MAKE SURE YOUR STOCK HEADPIPE GASKETS ARE IN GOOD SHAPE. IF YOU HAVE ANY DOUBTS AS TO THEIR CONDITION, REPLACE THEM.**

**Read all instructions carefully and completely before installing your new exhaust system**

1. Unplug O<sub>2</sub> sensors on front and rear headpipes from motorcycle wire harnesses. Remove stock exhaust system. On FLSTC, FLSTN, FLSTF, and FXSTSC, remove the right floorboard. Remove the two floorboard mounting bracket bolts leaving the third in place but loosen and rotate mount down out of the way, See Figure 1. This will make installation of exhaust and heatshields possible.
2. On models FLSTN, FLSTF, and FXSTD, remove the stock upper mounting bar.
3. Using a #50 Torx driver, remove the three mounting bolts, and set the mounting bar aside. (Two of the bolts are visible; removing the right hand passenger foot peg will allow access to the third bolt.) Replace the foot peg using the 3/8" -16 x 2-1/2" bolt and the supplied spacer.
4. Bolts and spacer used in Step #3 may also be used on all Softail models to space the right rear foot peg away from the exhaust system if you so desire.
5. Remove the flanges, retaining rings and O<sub>2</sub> sensors from the stock headpipes.
6. Place the exhaust mount bracket on the motorcycle and bolt into place using the supplied 3/8" bolts.
7. Remove the front and rear headpipes from box and install stock flanges, retaining rings and O<sub>2</sub> sensors onto pipes.
8. Install the front and rear headpipes on the motorcycle using stock flange nuts but **do not tighten**. Make sure the pipes are parallel with each other.
9. Remove the muffler assembly from the box and slide one supplied clamp #27-61MSC onto each muffler tube. Refer to Figure 2 for proper alignment.
10. Slide the muffler assembly onto the headpipes by tapping on the headpipes with your hand as you push the mufflers forward making sure the assembly slides as far forward as possible. Secure the muffler assembly to the mounting bracket using the supplied 5/16-18 bolts but **do not tighten**.
11. Make sure the muffler assembly is parallel to the ground (this is critical) then tighten the following in order, muffler bracket to the frame, muffler assembly to the muffler bracket, headpipe flanges to the motor (slowly tighten opposing nut) and muffler clamps. (NOTE: If the muffler clamps are slid to far up the muffler or past the three slots, the clamps will not tighten.) Plug O<sub>2</sub> sensors back into motorcycle wire harness.

DISCLAIMER: NOT LEGAL FOR SALE OR USE IN CALIFORNIA ON ANY POLLUTION CONTROLLED MOTOR VEHICLE. THE SALE, USE, OR INSTALLATION OF THIS PRODUCT MAY ALSO BE ILLEGAL NATIONWIDE UNDER THE FEDERAL CLEAN AIR ACT (42 U.S.C. § 7522(A)(3)).

12. Unscrew the remaining hose clamps and feed the tail end of the clamp through the clips on the inside of the heatshields. The screw end of the hose clamp should be accessible for tightening but not visible when the heatshields are mounted to the pipes.
13. Place the heatshields on the headpipes and align at collector but **do not tighten** at this time. Feed the tail end of the #28 hose clamp through the collector heatshield and snap into place over the megaphone and heatshields (See Figure 3). Align the collector heatshield with the front and rear main heatshields and tighten all clamps.
14. Rotate the floorboard mount back into place and retighten bolts to factory specifications. Reinstall the right floorboard with its original hardware.
15. Make sure all the hardware (brackets, headpipes, heatshields, mufflers and baffles) has been tightened appropriately and cleaned before starting your motorcycle.



Before starting your engine remove all fingerprints from chrome with a quality wax or chrome polish. Failure to do so can cause discoloration. Due to fluctuations in fuel injection/carburetion settings, timing, etc., Cobra Engineering does not warrant against chrome discoloration.