



**Items Supplied >**

- 1 – FRONT EXHAUST ASSEMBLY W/ HEATSHIELDS
- 1 – REAR EXHAUST ASSEMBLY W/HEATSHIELDS
- 4 – CLAMP HS-24
- 2 – CLAMP HS-28
- 4 – BOLT, HEX 5/16-18 x 5/8
- 2 – SCREW, BUTTON ¼-20 x 3/8
- 2 – BILLET EXHAUST TIPS
- 1 – EXHAUST MOUNT BRACKET

**Application(s) >**

HARLEY DYNA 91–05

**Instruction Manual >**

6815

Page 1 of 2

**PRIOR TO INSTALLATION, MAKE SURE YOUR STOCK HEADPIPE GASKETS ARE IN GOOD SHAPE. IF YOU HAVE ANY DOUBTS AS TO THEIR CONDITION, REPLACE THEM.**

**Read all instructions carefully and completely before installing your new exhaust system!**

1. Remove stock exhaust system.
2. Remove the rear stock mount bar from the engine.
3. Remove the flange and retaining ring from the stock headpipes.
4. Remove allen bolt, flange nut, and hex bolt from case and install supplied exhaust mount to motorcycle see Figure 1, but **DO NOT TIGHTEN**.
5. Remove front and rear pipes from the box and install stock flange and retaining rings on each pipe.
6. Install the front and rear pipes on to the motorcycle using the stock nuts and supplied 5/16" flange bolts but **DO NOT TIGHTEN** at this time.
7. Make sure the front and rear exhaust assemblies are parallel to the ground then tighten the following in order, exhaust bracket to the frame, head pipe flanges to the motor (slowly tighten opposing nut), and exhaust assembly to the exhaust bracket.
8. On the heatshields unscrew the remaining hose clamps and feed the tail end of the clamp through the clips on the inside. The screw end of the hose clamp should be accessible for tightening but not visible when the heatshields are mounted to the pipes.
9. To install the front heatshield, first slide the rear portion of the heatshield over the muffler, continue to slowly slide it forward pushing the front of the shield gently into place between the frame and motor (Hint: Spread the hose clamps apart slightly to make it easier to slide them over the rear of the exhaust and head pipe area.) Snug the heatshield clamps but **DO NOT TIGHTEN**.
10. Install the rear heatshield the same way as the front heatshield.
11. Install one billet tip on each heatshield making sure the ends of the tips are parallel with each other. Fasten the tips with the supplied ¼-20 screws making sure they snug up against the heatshield leaving no gap between the tip and heatshield when tightened. **If it is difficult to slide the tips into the heatshields loosen the clamps on the heatshield, failure to do this may cause damage to the chrome tips.**
12. Tighten the clamps on the heatshields making sure the ends of the shields are even.

**Continued to next page!**

DISCLAIMER: NOT LEGAL FOR SALE OR USE IN CALIFORNIA ON ANY POLLUTION CONTROLLED MOTOR VEHICLE. THE SALE, USE, OR INSTALLATION OF THIS PRODUCT MAY ALSO BE ILLEGAL NATIONWIDE UNDER THE FEDERAL CLEAN AIR ACT (42 U.S.C. § 7522(A)(3)).

13. Make sure all the hardware (brackets, headpipes, heatshields and tips) has been tightened appropriately and cleaned before starting your motorcycle.

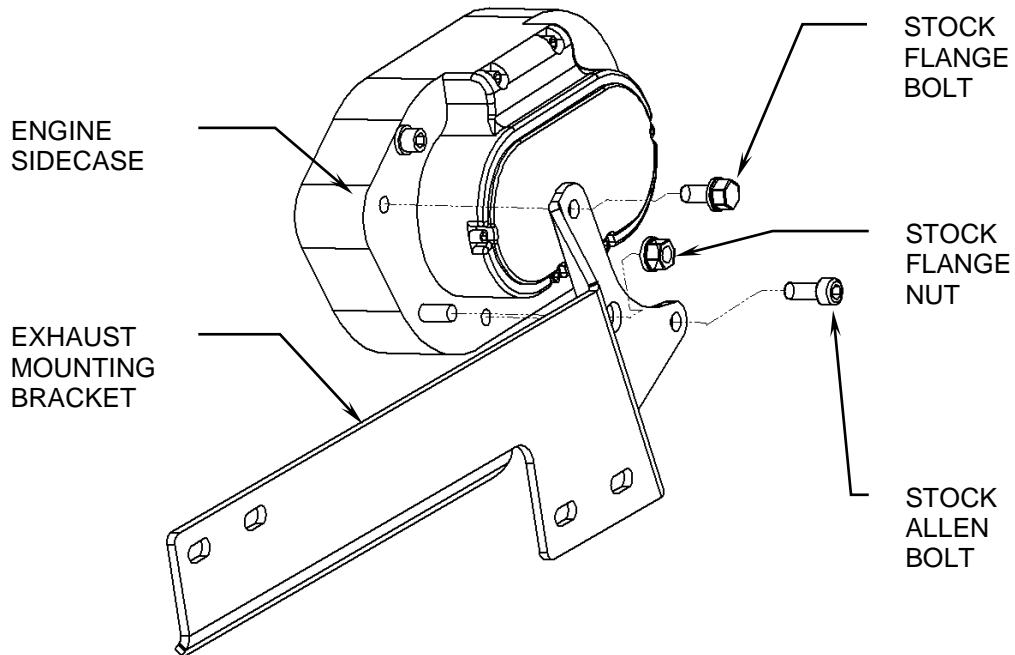


FIGURE 1

Before starting your engine remove all fingerprints from chrome with a quality wax or chrome polish. Failure to do so can cause discoloration. Due to fluctuations in fuel injection/carburetion settings, timing, etc., Cobra Engineering does not warrant against chrome discoloration.