

## Items Supplied >

- 1 – FRONT MUFFLER ASSEMBLY
- 1 – REAR MUFFLER ASSEMBLY

## Application >

| HARLEY:           |       |
|-------------------|-------|
| SOFTAIL SLIM      | 12-17 |
| SOFTAIL DELUXE    | 05-17 |
| CROSSBONES        | 08-11 |
| SOFTAIL FAT BOY S | 16-17 |

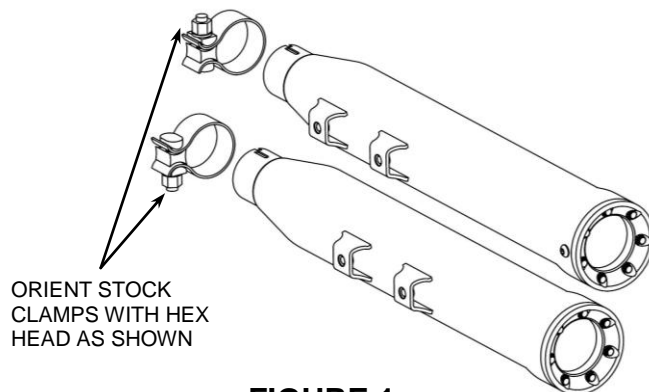
## Instruction Manual >

6052

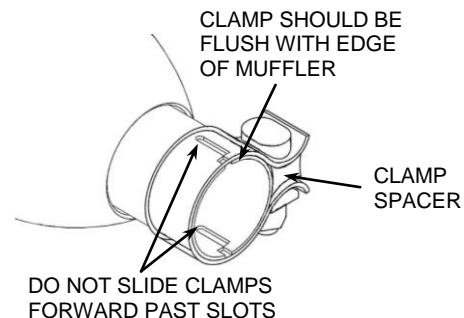
Page 1 of 1

### Read all instructions carefully and completely before installing your new slip-on mufflers

1. Remove the stock mufflers carefully. Save the mounting bolts and stock clamps.
2. Position the stock clamps with hex head as shown in **Figure 1** and slide them onto the slip-on mufflers.
3. **NOTE: THE MUFFLER WITH THE COBRA LOGO WILL ALWAYS BE THE REAR MUFFLER.** Slide the mufflers onto the head pipes until the mounting holes align.
4. Fasten the mufflers using the stock mounting bolts in the same manner as stock but **do not tighten**. Verify that the gap, where the mufflers meet the stock heat shields, is similar to the gap the stock mufflers allotted.
5. Check all clearances and alignments then tighten the clamps. (NOTE: The muffler clamps should be flush with the end of the muffler when tightened. See **Figure 2**. If the muffler clamps are slid forward past the slots on the slip collar the clamps will not tighten the mufflers properly. Also, make sure the clamp spacer is not over the slots. The slots need to be covered by the clamp band so that it seals the slots properly. Rotate the clamp if necessary).
6. Tighten the mounting bolts to factory specifications.
7. **IMPORTANT: Before starting your engine remove all fingerprints from chrome with a quality wax or chrome polish. Failure to do so can cause chrome discoloration. Due to fluctuations in fuel delivery settings, timing, etc., Cobra Engineering does not warrant against chrome discoloration.**



**FIGURE 1**



**FIGURE 2**

POSITION OF MUFFLERS AND MOUNTING BRACKETS SHOWN ABOVE MAY VARY FROM ACTUAL APPLICATION

**REPLACEMENT E-GLASS PACKING AND OPTIONAL 1 3/4" QUIET CORES MAY BE PURCHASED THROUGH YOUR DEALER OR ONLINE AT WWW.COBRAUSA.COM**

DISCLAIMER: NOT LEGAL FOR SALE OR USE IN CALIFORNIA ON ANY POLLUTION CONTROLLED MOTOR VEHICLE. THE SALE, USE, OR INSTALLATION OF THIS PRODUCT MAY ALSO BE ILLEGAL NATIONWIDE UNDER THE FEDERAL CLEAN AIR ACT (42 U.S.C. § 7522(A)(3)).