

## Items Supplied >

- |   |                    |
|---|--------------------|
| 1 - INTAKE COVER ASSEMBLED                              | 3 - SPACERS        |
| 1 - VENTURI AIR FILTER                                  | 2 - BREATHER HOSES |
| 1 - BASE MOUNTING PLATE                                 |                    |
| 1 - BILLET VELOCITY STACK                               |                    |
| 1 - THROTTLE BODY COVER                                 |                    |
| 1 - INTAKE GASKET                                       |                    |
| 2 - BREATHER BOLT, 3/8"-16 X 1" W/ TEFLON SEALANT       |                    |
| 3 - BOLT, 1/4"-20 X 7/8", BUTTONHEAD W/ LOCK PATCH      |                    |
| 3 - LOCK WASHER, 1/4" TOOTHED                           |                    |
| 2 - BOLT, 1/4"-20 X 1/2", BUTTONHEAD W/ LOCK PATCH      |                    |
| 3 - BOLT, 1/4"-20 X 2-3/4", 12-POINT HEAD W/ LOCK PATCH |                    |

## Application(s) >

- |                            |       |
|----------------------------|-------|
| HARLEY:                    |       |
| DRESSER                    | 08-16 |
| SOFTAIL (THROTTLE BY WIRE) | 16-17 |

**NOTE:** DOES NOT FIT CVO OR S MODELS.

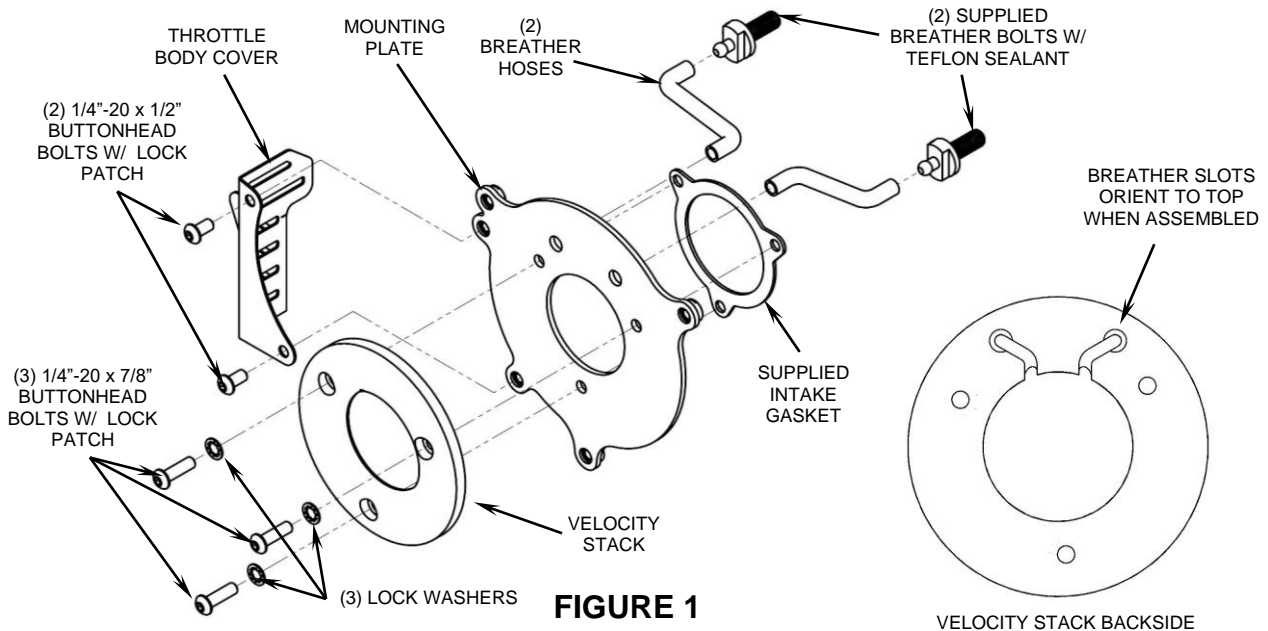
## Instruction Manual >

606-0100- 05/05B/05BC/05CB -SB

Page 1 of 2

**Read all instructions carefully and completely before installing your new RACE PRO™ Intake.**

1. Remove the allen bolt from the center of the stock air cleaner to remove the cover. Remove the (3) bolts securing the formed bracket located on top of the air filter. Then remove and discard the air filter, air box and seals/gaskets.
2. Remove and discard the (2) stock breather bolts, (2) stock o-rings, and (2) stock breather hoses from the cylinder heads.
3. Insert the (3) supplied 1/4"-20 x 7/8" buttonhead bolts and lock washers through the mounting holes in the velocity stack and mounting plate.
4. While holding that assembly together with one hand, insert the (2) supplied breather hoses through the mounting plate and into the velocity stack with the hoses rotated outward, as shown in **FIGURE 1**. Make sure hoses are bottomed out in the back of the velocity stack.
5. Join together the assembly from Step 3 with the supplied gasket then start threading the (3) buttonhead bolts into the throttle body, but do not tighten.

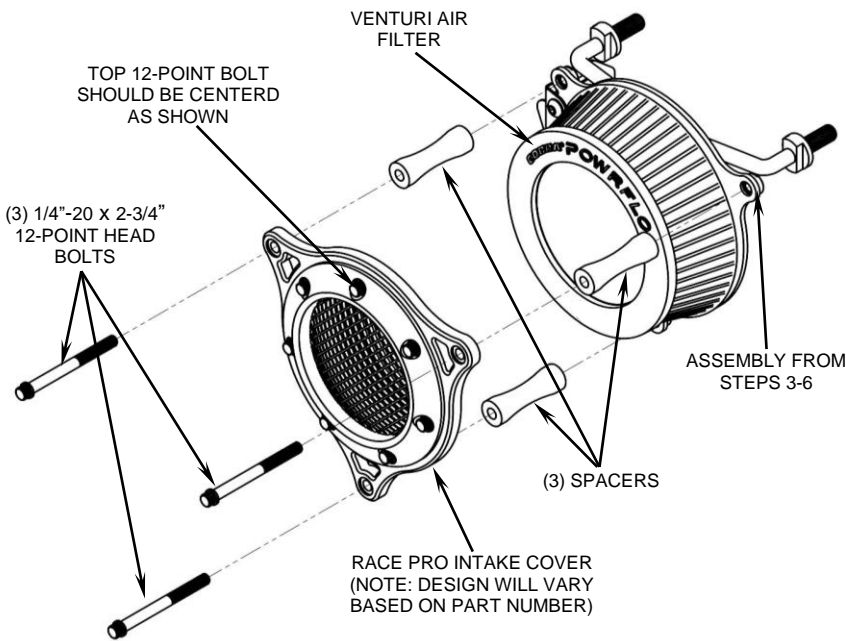


**FIGURE 1**

VELOCITY STACK BACKSIDE

DISCLAIMER: NOT LEGAL FOR SALE OR USE IN CALIFORNIA ON ANY POLLUTION CONTROLLED MOTOR VEHICLE. THE SALE, USE, OR INSTALLATION OF THIS PRODUCT MAY ALSO BE ILLEGAL NATIONWIDE UNDER THE FEDERAL CLEAN AIR ACT (42 U.S.C. § 7522(A)(3)).

6. Insert the breather bolts into the cylinder heads and tighten securely.
7. Now snug the (3) buttonhead bolts evenly, and then fully tighten them to the throttle body.
8. Insert outer end of rubber hoses over nipples on breather bolts.
9. Install the throttle body cover using the (2) 1/4-20 X 1/2" button head screws as shown in **FIGURE 1**.
10. Place the supplied venturi filter onto the velocity stack.
11. Place the RACE PRO intake cover over the air filter so that there is a 12-point bolt centered between the top two mounting holes. See **FIGURE 2**.
12. Insert the 2-3/4" long 12-point bolts through the 3 outer holes in the intake cover and through the spacers to the base mounting plate threaded holes. See **FIGURE 2**. Snug the (3) bolts evenly until the intake cover tightens down onto the spacers. Then tighten the bolts securely.



**FIGURE 2**

#### CLEANING INSTRUCTIONS:

To clean any black portions of the RACE PRO air intake system use a liquid based soap detergent, such as dishwashing soap applied with a soft cloth and rinse with clean water. **Note:** Avoid abrasive cleaning methods such as granular or dry cleansers, simple green, Scotch-Brite or steel wool pads. Abrasives may breach the coating and shorten life.

#### CALIFORNIA CUSTOMERS:

In California, aftermarket parts that have been identified specifically as replacement parts or that have received an Air Resources Board Executive Order may be used on street motorcycles.

All other emissions related aftermarket parts are for competition use only. A list of replacement parts and EO parts, and corresponding fitment is provided at: [www.cobrausa-hd.com](http://www.cobrausa-hd.com)