

Items Supplied >

- 2 – PASSENGER FLOORBOARD ASSEMBLIES
- 2 – SPACERS
- 2 – 5/16 S.H.C. SCREW
- 2 – 3/8 S.H.C. SCREW
- 2 – LOCK WASHERS
- 2 – 3/8 NUTS

Application(s) >

HARLEY SOFTAIL 00 and Up (NOT FATBOY)

Instruction Manual >

606-4602

Page 1 of 1

Your passenger floorboards will install in just a few minutes using common tools. Read all instructions carefully and completely before installing your new passenger floorboards.

1. Remove the stock passenger footpegs and mounts.
2. Install the supplied spacers and lock washers with the 3/8-16 screw as shown in figure 1. Do not over tighten the screw.
3. Install the floorboard assemblies using the supplied 5/16 screws (refer to figure 1) and tighten.
4. Adjust the left and right floorboard assemblies to the desired angle.
5. Remove the 5/16 screw and floorboard assemblies making sure not to rotate the spacers.
6. Install the 3/8 nuts on the screws from the backside of the frame as shown in figure 1. Tighten the 3/8 screws and nuts making sure not to rotate the spacers.
7. Reinstall the floorboard assemblies with the 5/16 screws (refer to figure 1) and tighten.

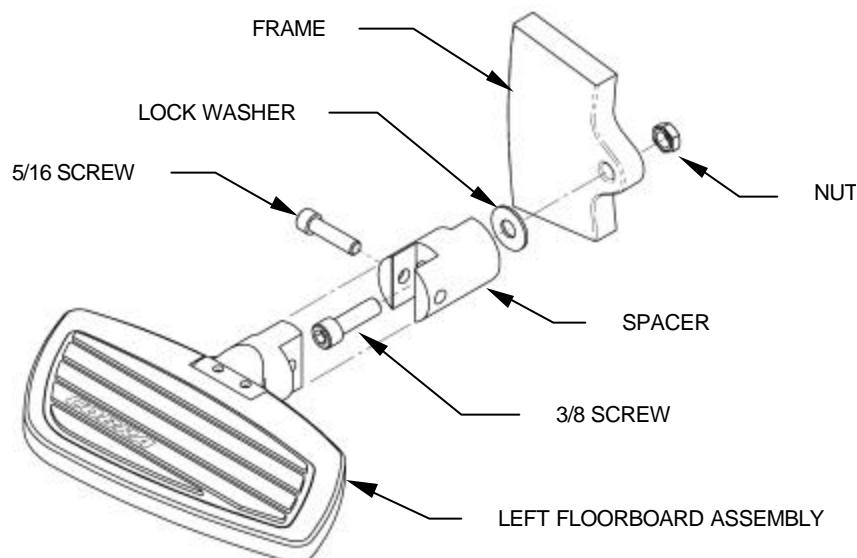


FIGURE 1
(LEFT SIDE SHOWN RIGHT SIDE SIMILAR)

*** Cobra recommends you always wear a helmet while riding. Please never operate your motorcycle while under the influence of alcohol and/or drugs. Enjoy the new look of your motorcycle and please ride safely.**