

Items Supplied >

2 – PASSENGER FLOORBOARD ASSEMBLIES
2 – SPACERS SHORT
1 – SPACER LONG
2 – 5/16 S.H.C. SCREW
2 – ½-20 x 1.25 S.H.C. SCREW
1 – ½-20 x 3.50 S.H.C. SCREW
2 – ½-20 NYLOCK NUTS

Application(s) >

HARLEY FATBOY 86 - 99

Instruction Manual >

606-4603

Page 1 of 2

Your passenger floorboards will install in just a few minutes using common tools. Read all instructions carefully and completely before installing your new passenger floorboards.

1. Remove the stock passenger footpegs and mounts.
2. If the stock muffler bracket is being used install the supplied long spacer with the ½-20 x 3.50 screw as shown in figure 1 on the right side of the motorcycle. Do not over tighten the screw.
3. If the stock muffler bracket is not being used install the supplied short spacer with the ½-20 x 1.25 screw as shown in figure 2 on the right side of the motorcycle. Do not over tighten the screw.
4. Install the supplied short spacer with the ½-20 x 1.25 screw as shown in figure 2 on the left side of the motorcycle. Do not over tighten the screw.
5. Install the floorboard assemblies using the supplied 5/16 screws (refer to figure 2) and tighten.
6. Adjust the left and right floorboard assemblies to the desired angle.
7. Remove the 5/16 screw and floorboard assemblies making sure not to rotate the spacers.
8. Install the 1/2 nuts on the screws from the backside of the frame as shown in figure 2. Tighten the 1/2 screws and nuts making sure not to rotate the spacers.
9. Reinstall the floorboard assemblies with the 5/16 screws (refer to figure 2) and tighten.

*** Cobra recommends you always wear a helmet while riding. Please never operate your motorcycle while under the influence of alcohol and/or drugs. Enjoy the new look of your motorcycle and please ride safely.**

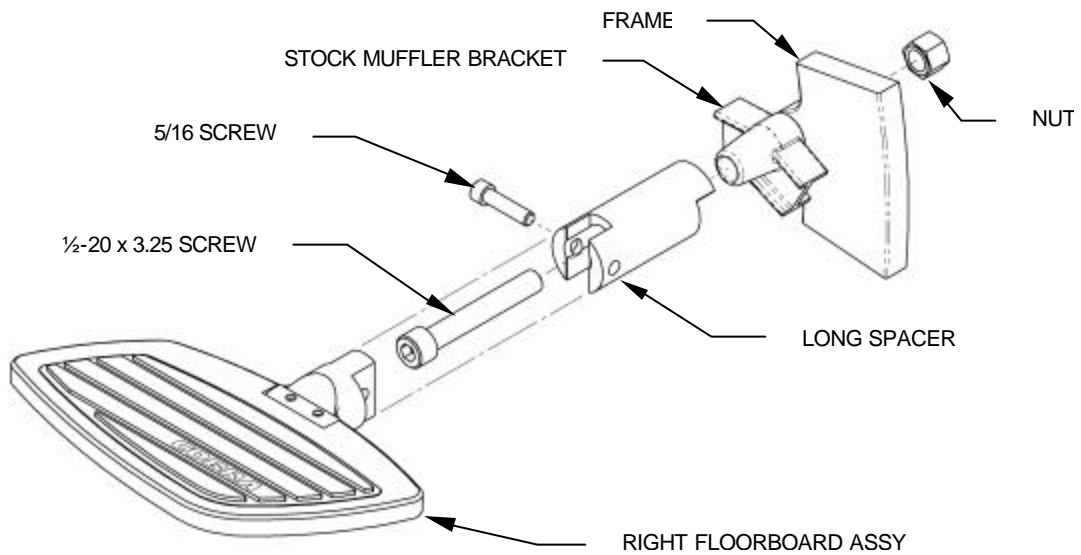


FIGURE 1
(RIGHT SIDE ONLY)

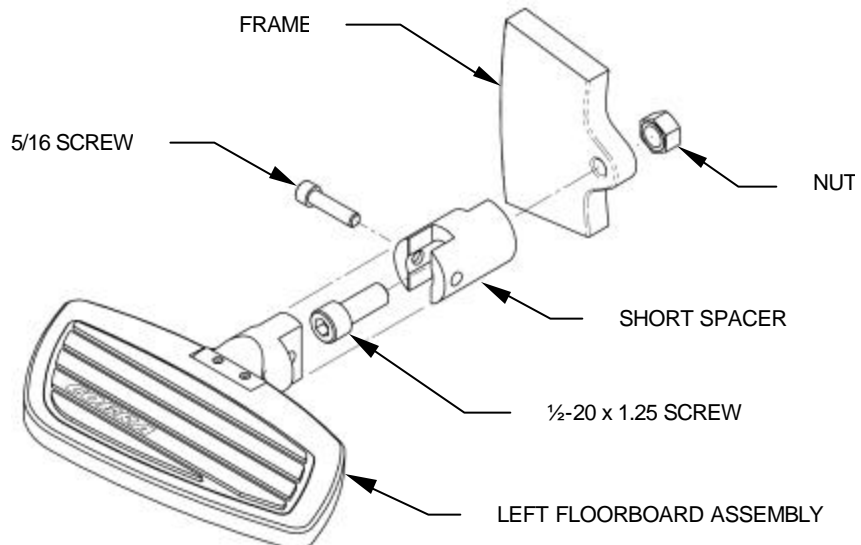


FIGURE 2
(LEFT SIDE SHOWN RIGHT SIDE SIMILAR)