

## Items Supplied >

- 2 – Floorboard Assemblies with Mounts
- 2 – 5/24 x 1.50 Allen Bolts
- 2 – 5/24 Nylock Nuts

## Application >

HONDA VT1100 SPIRIT 99-07

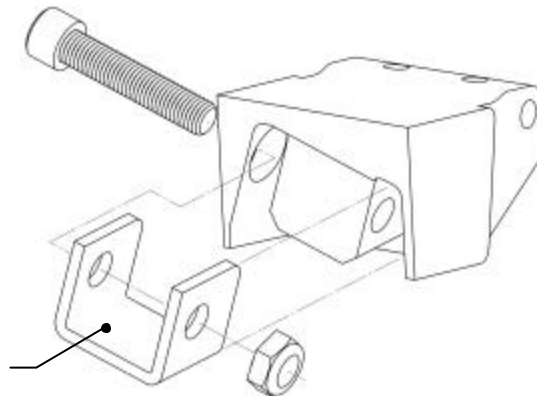
## Instruction Manual >

06-3621/06-4621

Page 1 of 1

1. Remove the cotter pin from the passenger footpeg pin.
2. Remove the footpeg mounting pin and then the footpeg from the motorcycle. These items will not be used in the installation of the floorboard assemblies.
3. Install the passenger floorboard assembly where the passenger footpeg was using the supplied hardware as shown below.
4. Repeat steps 1 through 3 for other side.
5. Check to make sure that the cotter pins are properly installed on the floorboards and the bolts are tight on the floorboard mount prior to riding the motorcycle.

PASSENGER FOOTPEG  
LOCATION



\* *Cobra recommends you always wear a helmet while riding. Please never operate your motorcycle while under the influence of alcohol and/or drugs. Enjoy the new look of your motorcycle and please ride safely.*